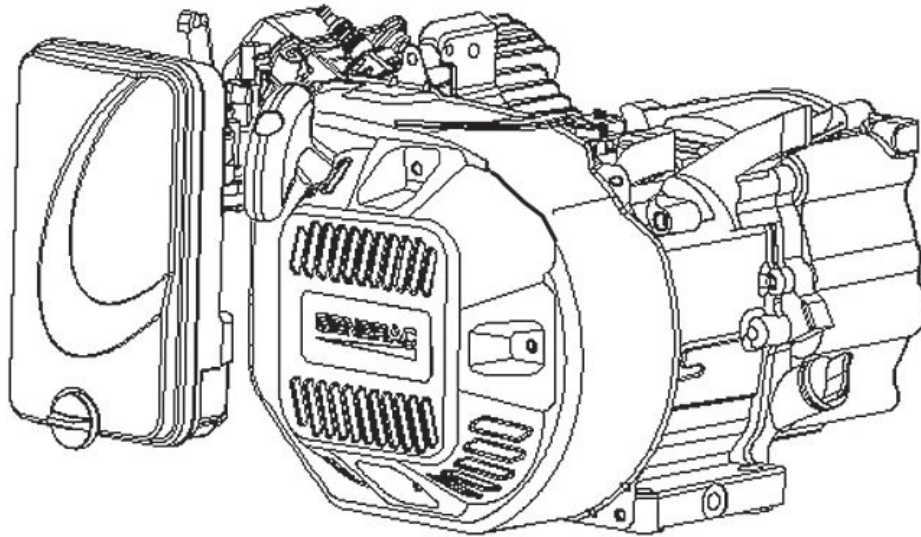


Engine Parts Manual

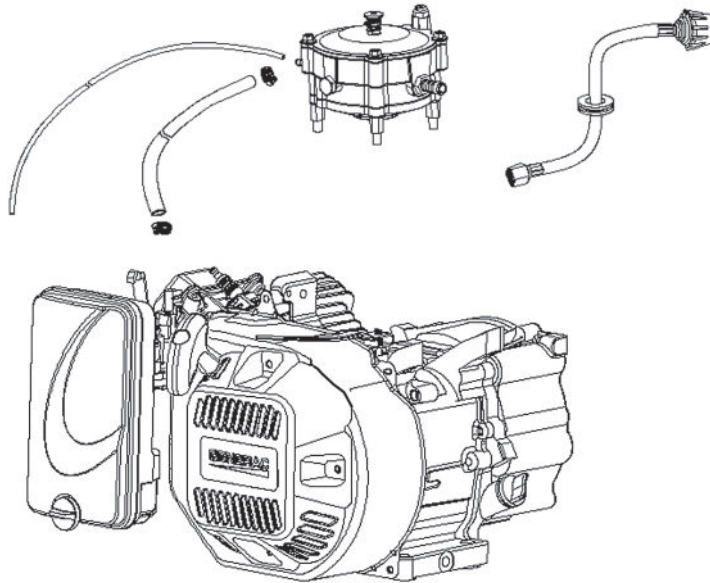
212cc (G19)



NOTICE!

The information in this manual is known to be accurate as of the date of release shown on the cover. However, engineering changes can occur without notice. To obtain the proper parts, please be sure to use the serial number of the unit being serviced when ordering from this manual. Always refer to any parts notes and changes before ordering. All other parts not shown in this manual can be found on Generac's exploded view drawings online on GENservice at www.generac.com.

Engine

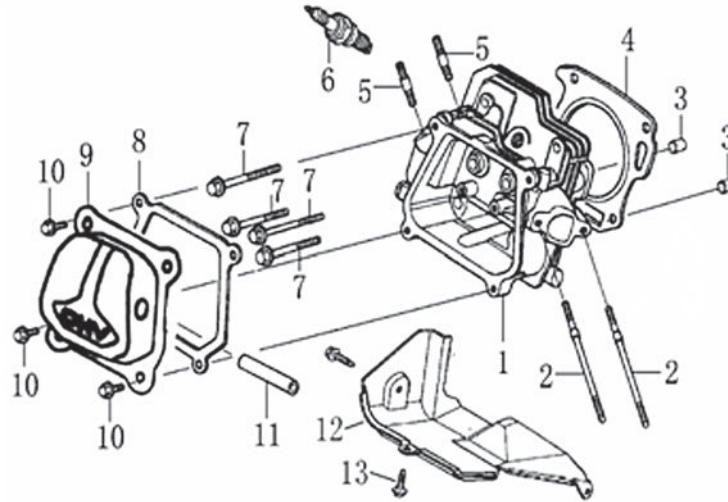


ITEM	PART NO.	QTY.	DESCRIPTION
1	OJ4787	1	Engine LP3250
NOT SHOWN	OJ478700SM	1	SCHEDULED MAINTENANCE KIT (SPARK PLUG, AIR CLEANER)

212cc ENGINE

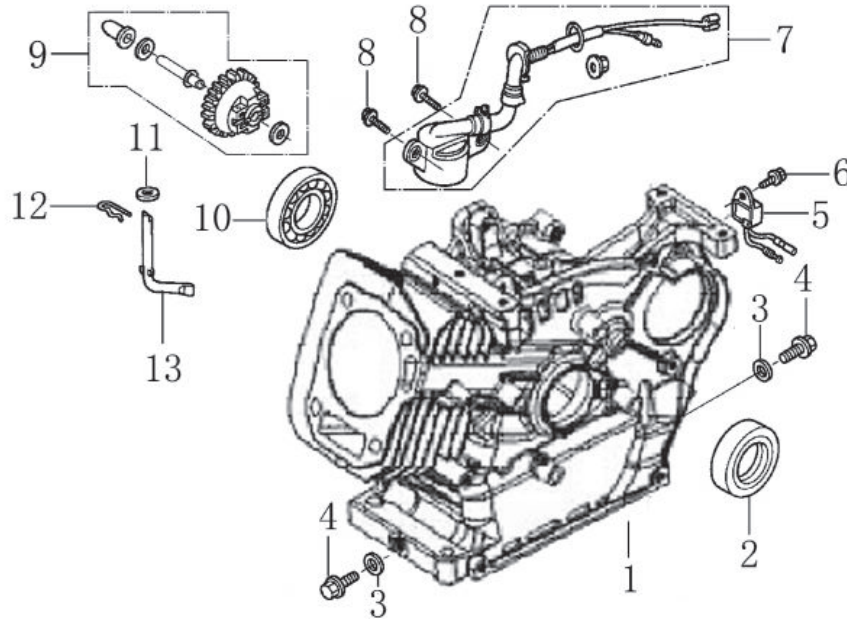


Cylinder Head



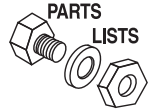
ITEM	PART NO.	QTY.	DESCRIPTION
1	0J47870110	1	HEAD COMP.,CYLINDER
2	0J47870111	2	BOLT, STUD, IN.
3	0J35220165	2	PIN, DOWEL
4	0J35230112	1	GASKET, CYLINDER
5	0G84420210	2	BOLT, STUD, EX.
6	0J00620106	1	PLUG, SPARK
7	0J35220158	4	BOLT, FLANGE, 8X60
8	0J35220115	1	GASKET, HEAD COVER
9	0J35230113	1	COVER COMP., HEAD
10	0G84420194	4	BOLT, FLANGE, 6*12
11	0J47870112	1	TUBE, BREATHER
12	0J47870113	1	PLATE, AIR GUIDE
13	0G84420241	2	BOLT, FLANGE, 6x8

Crankcase

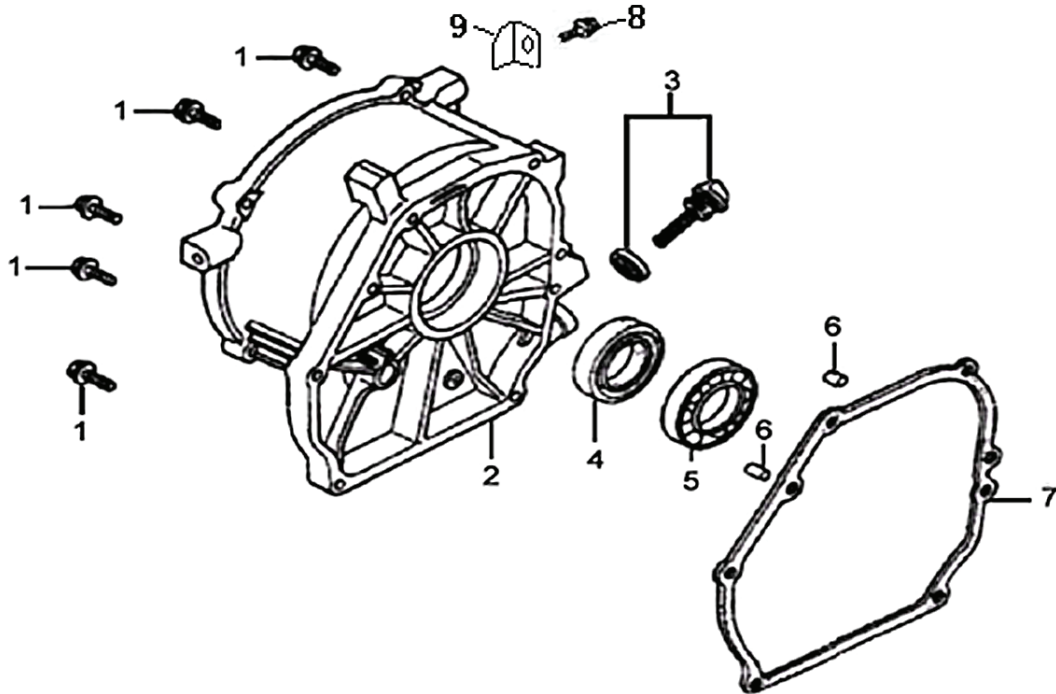


ITEM	PART NO.	QTY.	DESCRIPTION
1	0J47870114	1	CRANK CASE
2	0J47870115	1	OIL SEAL 25×41.25×6
3	0J35220164	2	WASHER, DRAIN PLUG
4	0J35220111	2	BOLT, DRAIN PLUG
5	0G84420112	1	ALERT UNIT ,OIL
6	0J35220157	1	BOLT, FLANGE, 6×10
7	0J35230135	1	OIL LEVEL SWITCH
8	0G84420217	2	BOLT, FLANGE, 6×14
9	0J47870116	1	GOVERNOR ASSY.
10	0J47870117	1	BEARING, RADIAL BALL
11	0J47870118	1	WASHER 6×13×1
12	0G84420219	1	PIN, LOCK
13	0J47870119	1	SHAFT, GOVERNOR ARM

212cc ENGINE

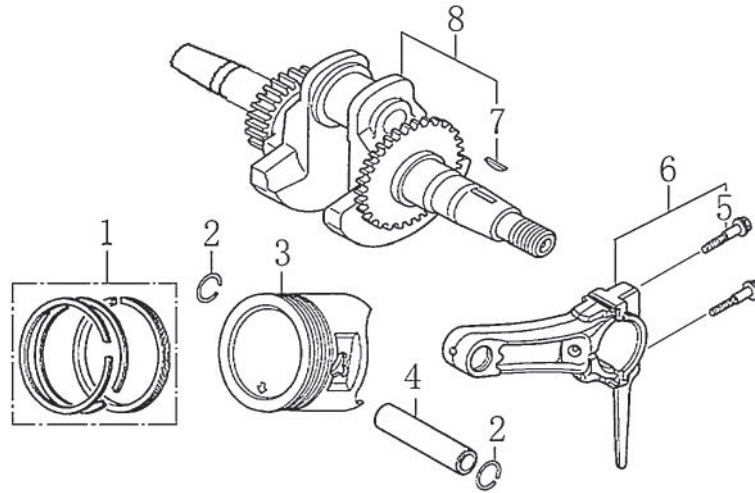


Crankcase Cover



ITEM	PART NO.	QTY.	DESCRIPTION
1	0J35230136	7	BOLT, FLANGE
2	0J47870120	1	CASE COVER
3	0J35230110	1	OIL SWITCH
4	0J47870115	1	OIL SEAL
5	0J47870117	1	BEARING
6	0J35230138	2	PIN, DOWEL
7	0J47870123	1	GASKET, CASE COVER
8	0J47870124	1	BOLT, FLANGE
9	0J47870125	1	BAFFLE

Crankshaft Piston and Connecting Rod

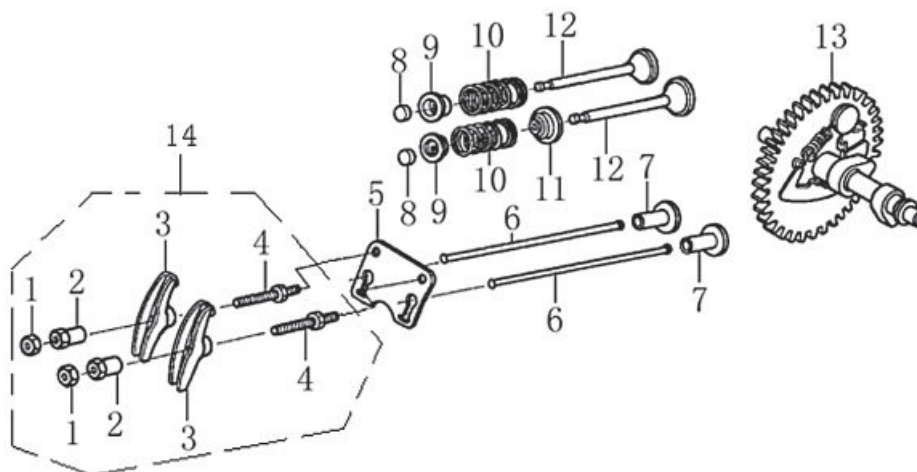


ITEM	PART NO.	QTY.	DESCRIPTION
1	0J47870126	1	RING SET
2	0J47870127	2	CLIP, PISTON PIN
3	0J47870128	1	PISTON
4	0J47870129	1	PIN, PISTON
5	0J47870130	2	CONNECTING ROD BOLT
6	0J47870131	1	ROD ASSY ., CONNECTING
7	0G84420119	1	KEY
8	0J47870132	1	CRANKSHAFT COMP

212cc ENGINE

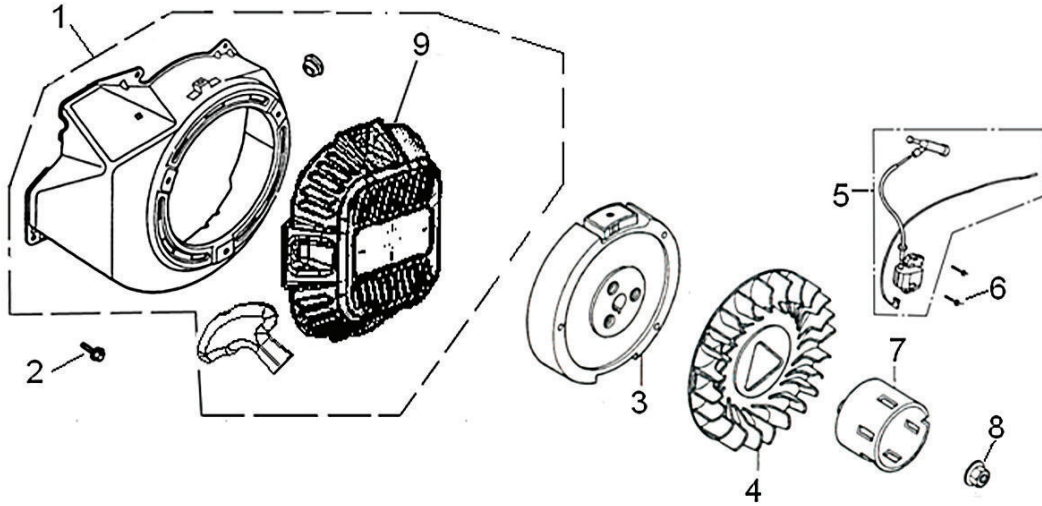


Camshaft



ITEM	PART NO.	QTY.	DESCRIPTION
1	0G84420170	2	NUT, PIVOT ADJUSTING
2	0G84420171	2	PIVOT, ROCKER ARM
3	0J35230115	2	ARM, VALVE ROCKER
4	0H58410127	2	BOLT, PIVOT, ARM
5	0J35230116	1	PLATE, PUSH ROD GUIDE
6	0J35220121	2	ROD, PUSH
7	0J35220122	2	LIFTER, VALVE
8	0J35230114	2	ROTATOR, VALVE
9	0J35220118	2	RETAINER, VALVE SPRING
10	0J35220117	2	SPRING, VALVE
11	0J35220119	1	SEAL, GUIDE
12	0J35230140	1	VALVE
13	0J47870133	1	CAMSHAFT ASSY.
14	0J35220120	1	ASSY., ROCKER ARM

Starter

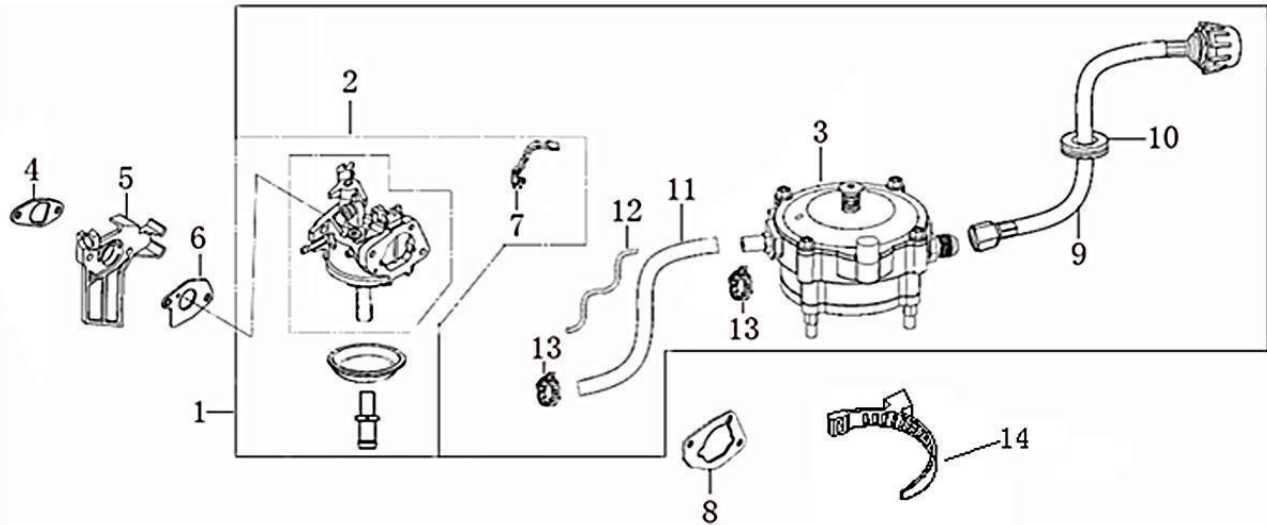


ITEM	PART NO.	QTY.	DESCRIPTION
1	0J47870151	1	STARTER ASSY.
2	0G84420217	4	BOLT, FLANGE
3	0H95610115	1	FLYWHEEL COMP
4	0J35230117	1	FAN, COOLING
5	0J35220153	1	COIL ASSY ., IGNITION
6	0G84420268	2	BOLT, FLANGE, 6x25
7	0J35230133	1	PULLEY, STARTER
8	0J35220162	1	NUT, SPECIAL
9	0J0807A	1	RECOIL COVER ASSY

212cc ENGINE

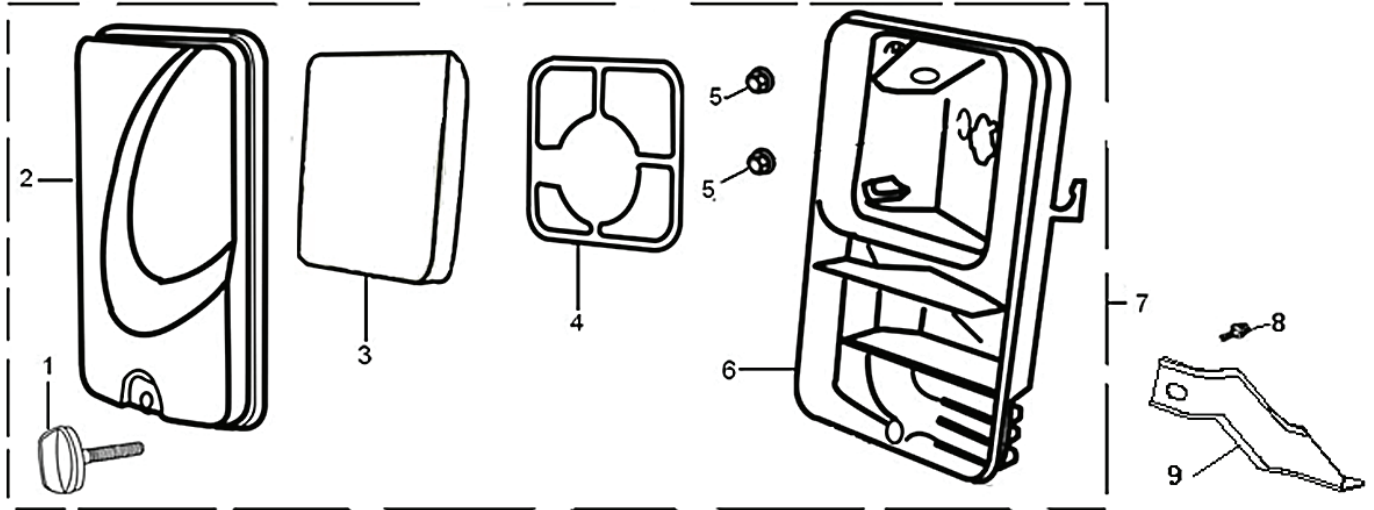


Carburetor



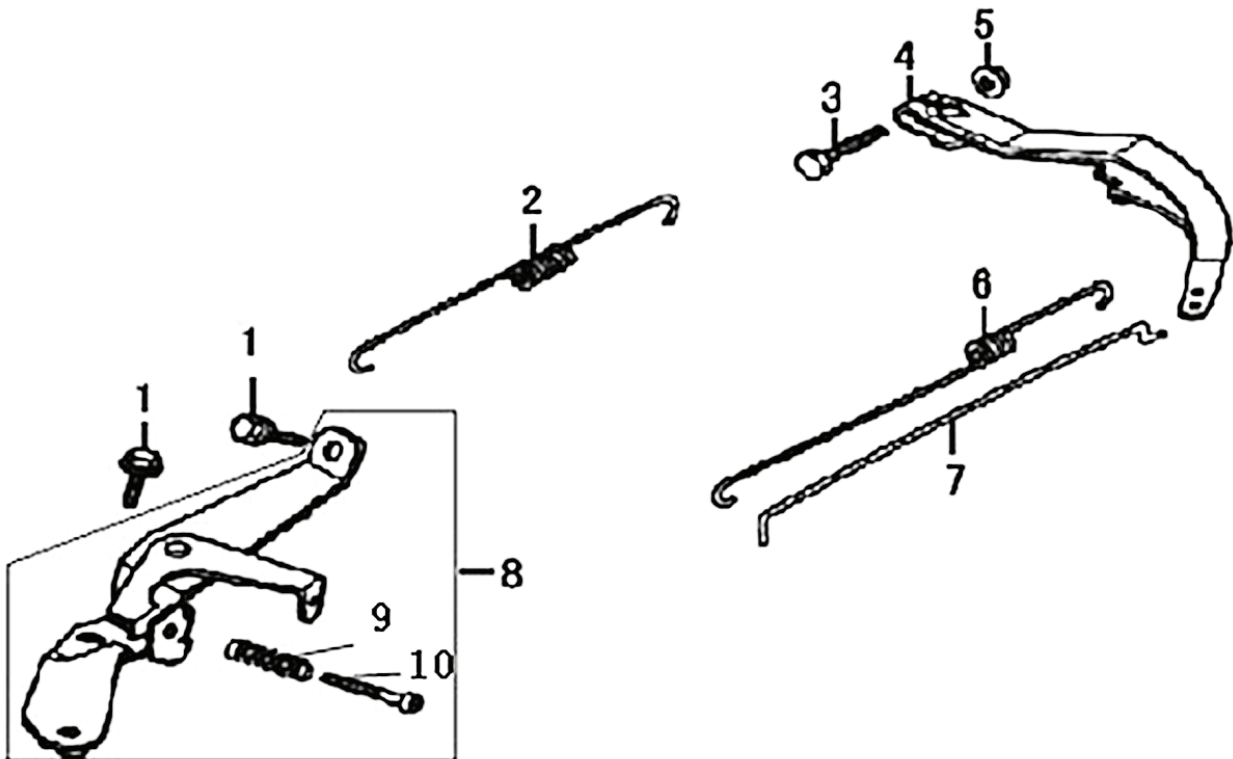
ITEM	PART NO.	QTY.	DESCRIPTION
1	OJ47870135	1	REDUCTION VALVE
2	OJ47870136	1	CARBURETOR
3	OJ5785	1	REGULATOR, HIGH PRESS., 90 DEGREE
	OJ5785A	1	REGULATOR, HIGH PRESS., 180 DEGREE
4	OJ35220128	1	GASKET, INSULATOR
5	OJ35220130	1	INSULATOR, CARBURETOR
6	OJ35220127	1	GASKET., CARBURETOR
7	OJ47870137	1	LEVER ASSY,CHOKE
8	OJ35220129	1	GASKET, AIR CLEANER
9	OJ6056	1	PIPE (HOSE, FUEL LP TANK)
10	OF9504	1	GROMMET
11	OJ6058	1	PIPE (HOSE, FUEL LP REGULATOR)
12	OJ6057	1	PIPE (HOSE, Vent)
13	048031J	2	CLIP, TUBE
14	OJ47870138	1	RIBBON

Air Cleaner



ITEM	PART NO.	QTY.	DESCRIPTION
1	0J47870139	1	NUT TOOL BOX SETTING
2	0J47870140	1	COVER AIR CLEANER
3	0J47870141	1	FILTER, OUTER
4	0J47870142	1	SEPARATOR, AIR CLEANER
5	0H58410171	2	NUT, FLANGE
6	0J47870143	1	COLLAR, AIR CLEANER
7	0J47870144	1	AIR CLEANER ASSY.
8	0J47870124	1	BOLT, FLANGE
9	0J47870146	1	BRACKET

Control System



ITEM	PART NO.	QTY.	DESCRIPTION
1	OJ35220157	2	BOLT, FLANGE, 6×10
2	OJ47870147	1	SPRING, GOVERNOR
3	OG84420197	1	BOLT, QUADRATE HEAD
4	OJ35220138	1	ARM, GOVERNOR
5	OG84420272	1	NUT, FLANGE
6	OJ47870148	1	SPRING, THROTTLE RETURN
7	OJ35220135	1	ROD, GOVERNOR
8	OJ47870149	1	RETAINER, CONTROL ASSY.
9	OJ47870150	1	SPRING
10	OJ35250132	1	SCREW, 5×35

